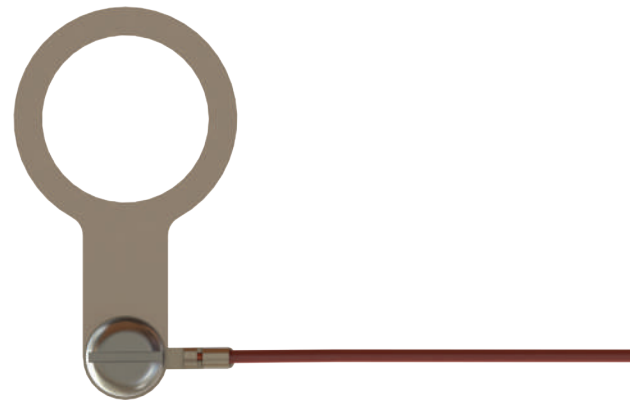
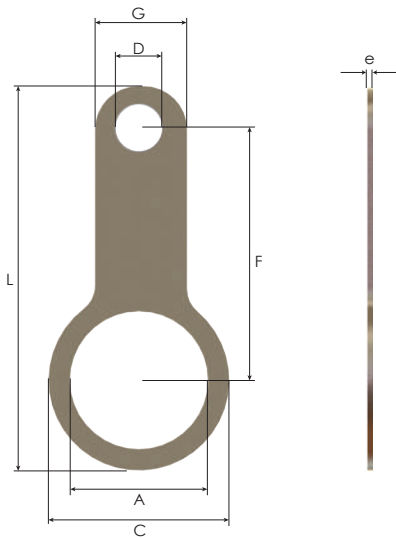




Technical Details	
Material	Brass, Brass Nickel Plated, Stainless Steel
For more information see our webpage.	



Type METRIC										Type NPT									
For Thread Size	Dimensions							Part Number	Minimum Order Quantity	For Thread Size	Dimensions							Part Number	Minimum Order Quantity
	A Ø mm	e mm	C Ø mm	D Ø mm	L mm	F mm	G mm				A Ø mm	e mm	C Ø mm	D Ø mm	E mm	F mm	G mm		
M12	12,20	1,5	22,0	6,2	46,00	30,0	12,0	BMET02	1000	NPT 1/4"	13,90	1,5	22,0	6,2	47,0	30,0	12,0	BNET02	1000
M16	16,20	1,5	25,0	6,2	48,75	30,0	12,5	BMET01	1000	NPT 3/8"	17,35	1,5	25,0	6,2	48,75	30,0	12,5	BNET01	1000
M20	20,20	1,5	28,6	6,2	53,55	33,0	12,5	BMET1	1000	NPT 1/2"	21,70	1,5	28,6	6,2	53,55	33,0	12,5	BNET1	1000
M25	25,20	1,5	34,0	6,2	59,50	36,0	13,0	BMET2	1000	NPT 3/4"	26,90	1,5	34,0	6,2	59,50	36,0	13,0	BNET2	1000
M32	32,20	1,5	42,0	12,2	73,00	41,0	22,0	BMET3	1000	NPT 1"	33,60	1,5	42,0	12,2	73,00	41,0	22,0	BNET3	700
M40	40,20	1,5	54,0	14,2	86,50	46,5	26,0	BMET4	700	NPT 1 1/4"	42,35	1,5	54,0	14,2	86,50	46,5	26,0	BNET4	500
M50	50,20	1,5	67,0	14,2	111,50	63,5	29,0	BMET5	500	NPT 1 1/2"	48,50	1,5	67,0	14,2	111,50	63,5	29,0	BNET5	350
M60	60,20	1,5	74,0	14,2	121,50	70,0	29,0	BMET60	400	NPT 2"	60,50	1,5	77,0	14,2	125,50	72,5	29,0	BNET6	30
M63	63,20	1,5	77,0	14,2	125,50	72,5	29,0	BMET6	400	NPT 2 1/2"	73,50	1,5	89,0	14,2	137,00	77,0	32,0	BNET7	200
M70	70,20	1,5	84,0	14,2	133,00	75,0	32,0	BMET70	300	NPT 3"	89,50	1,5	109,5	14,2	167,00	94,5	35,5	BNET8	100
M75	75,20	1,5	89,0	14,2	137,50	77,0	32,0	BMET7	300	NPT 3 1/2"	102,20	1,5	122,5	14,2	179,00	100,0	35,5	BNET9	50
M80	80,20	1,5	100,0	14,2	158,00	91,5	32,0	BMET80	200	NPT 4"	114,80	1,5	138,0	14,2	214,00	125,0	40,0	BNET10	50
M85	85,20	1,5	105,0	14,2	161,00	92,5	32,0	BMET85	200										
M90	90,20	1,5	109,5	14,2	167,00	94,5	35,5	BMET8	200										
M100	100,20	1,5	128,0	14,2	209,00	125,0	40,0	BMET9	150										
M110	110,20	1,5	138,0	14,2	214,00	125,0	40,0	BMET10	100										
M115	115,20	1,5	143,0	14,2	219,50	128,0	40,0	BMET115	50										
M130	130,20	1,5	158,0	14,2	232,00	133,0	40,0	BMET130	50										